



# Klondike™ SERIES

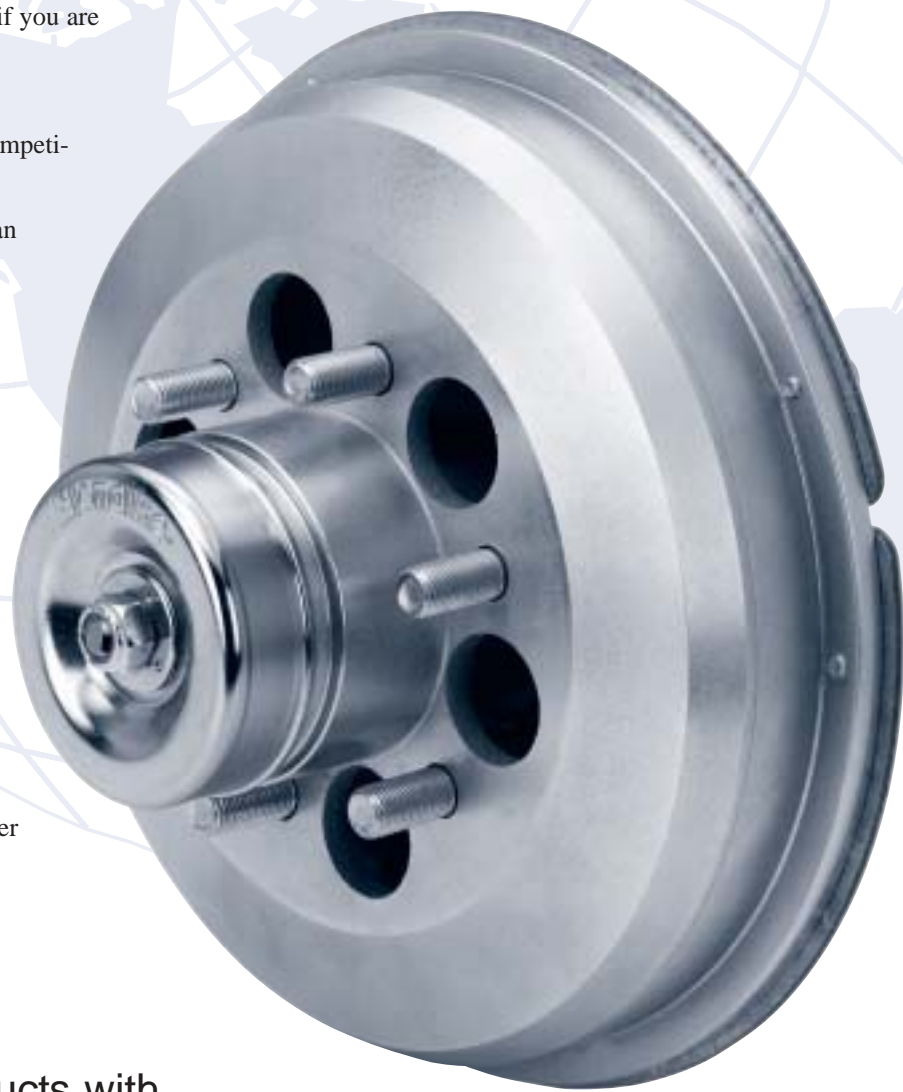
## REPLACEMENT FAN CLUTCH FOR KYSOR'S K22RA

Horton's new Klondike Series allows you to benefit from Horton's industry leading customer service and quality even if you are running our competitor's fan drive in your fleet.

Our new rear-air Kysor-style fan clutch fits most competitive applications and is easy to maintain. It was designed to keep your vehicle running even if the fan clutch fails. The clutch will lockup without air pressure, keeping your engine cool until you can get it in for servicing.

Our new Klondike Series includes the fan clutch, a lining repair kit, seal kit and complete fan drive repair kit as well as several bearing kits for rebuilding the competitive fan drive hub.

All of the Klondike kits and components are interchangeable with the original equipment fan drive. You can count on Horton to not only provide the reliable, durable products you need, but to deliver them on time.



Competitive Products with  
Horton Service, Support and Quality



Klondike is a Horton, Inc. brand.

## FAN CLUTCH & REPAIR KIT OPTIONS



**Fan Clutch**

HORTON #	OEM #
9908500	1090-08500-01



**Rear-Air Major Kit**

HORTON #	OEM #
9908400	1033-05435-03



**Rear-Air Seal Kit**

HORTON #	OEM #
9908402	1033-08233-01



**Front-Air Major Kit**

HORTON #	OEM #
9908401	1033-05435-02



**Front-Air Seal Kit**

HORTON #	OEM #
9908404	4043-41130-01



**Lining Kit**

**(fits both rear-air and front-air)**

HORTON #	OEM #
9908403	1033-08250-01



Klondike is a Horton, Inc. brand.

Horton, Inc.  
2565 Walnut Street  
Roseville, MN 55113, USA  
Phone: +1 (651) 361-6400  
Toll-free: +1 (800) 621-1320  
Fax: +1 (651) 361-6801  
Web site: [www.hortonww.com](http://www.hortonww.com)  
e-mail: [info@hortonww.com](mailto:info@hortonww.com)



**Hub Bearing Kits**

HORTON #	OEM #
9908300	1033-07781-01
9908301	1033-07782-01
9908302	1033-07782-02
9908303	1033-07782-03
9908304	1033-07782-04



# Klondike® SERIES

## REPLACEMENT FAN CLUTCH and REPAIR KITS FOR KYSOR® K26RA

Horton's Klondike Series® allows you to benefit from Horton's industry-leading customer service and quality even if you are running our competitors' fan drives in your fleet.

Our rear-air Klondike 26 fan clutch fits most competitive applications and is easy to maintain. It was designed to keep your vehicle running even if the fan clutch fails. The clutch will engage without air pressure, keeping your engine cool until you can get it in for servicing.

Our reformulated friction liner compound delivers substantially longer life than competitive products. All Klondike kits and components are interchangeable with the original-equipment fan drive. Refer to the second page for details on repair kits.

Horton also offers a reformulated liner kit to repair Kysor's K22 and the Klondike 22.

You can count on Horton to not only provide the reliable, durable products you need, but to deliver them on time.



**Competitive Products with Horton  
Service, Support and Quality**



Klondike is a Horton, Inc. brand.

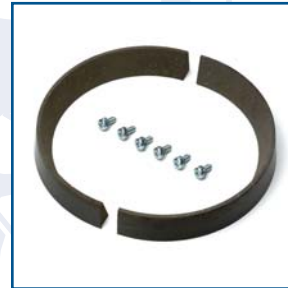


## KLONDIKE 26 FAN CLUTCH and REPAIR KIT OPTIONS



### Rear-Air Fan Clutch

Horton # 9908501      OEM # 1090-09500-01



### Lining Kit

(fits both rear-air and front-air fan clutches)

Horton # 9908407      OEM # 1033-09340-01



### Rear-Air Major Kit

Horton # 9908405      OEM # 1033-09339-01



### Hub Bearing Kits

Horton # 9908300      OEM # 1033-07781-01  
9908301      1033-07782-01  
9908302      1033-07782-02  
9908303      1033-07782-03  
9908304      1033-07782-04



### Rear-Air Seal Kit

Horton # 9908402      OEM # 1033-08233-01



Klondike is a Horton, Inc. brand.

Horton, Inc.  
2565 Walnut Street  
Roseville, MN 55113, USA  
Tel.: +1 (651) 361-6400  
Toll-free: 1 (800) 621-1320  
Fax: +1 (651) 361-6801  
Web site: [www.hortonww.com](http://www.hortonww.com)  
e-mail: [info@hortonww.com](mailto:info@hortonww.com)